

# AC4D35H

**STANDARD MATERIALS AND CONSTRUCTION**

**FRAME:** .081" thk. (nominal) extruded aluminum 6063-T52/T6 alloy.

**BLADES:** Stationary blades are made from .081" thk. (nominal) extruded aluminum 6063-T52/T6 alloy. Adjustable Blades are made from .125" thk. (nominal) extruded aluminum 6063-T6/T52 alloy. Blades approximately 3 1/2" on centers.

**LOUVER FACE:** Full width sill with head and blades contained within drain jambs.

**LINKAGE:** Extruded aluminum, concealed in the channel out of the airstream. The pivots, which rotate in Celcon bearings, are .50" dia. plated and machined steel. The pivot is locked to the 5/16" dia. aluminum linkage rod by a 1/4 - 20 set screw with epoxy locking patch.

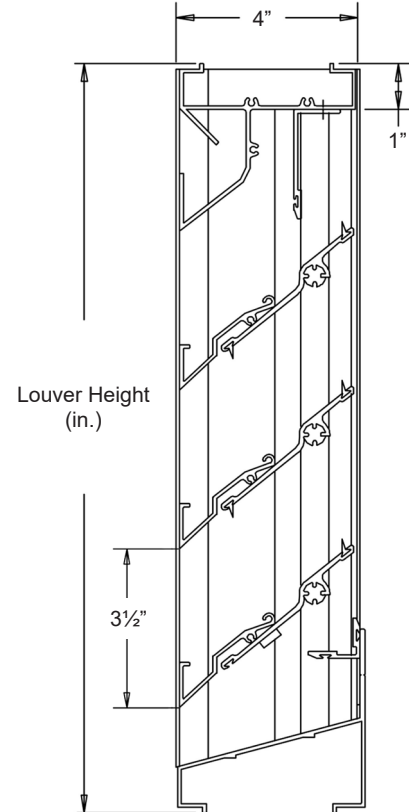
**AXLES:** .50" dia. aluminum "Pin-Lock" extrusion.

**SEALS:** Extruded silicone rubber seals at blade edge. Foam on bottom blade. Stainless steel at jambs.

**SCREEN:** (When indicated, in a removable frame)

- 1/2" flattened aluminum, .051" thk.,
- or- 1 5/16" aluminum mesh insect screen, .011" dia.,
- or- 1/2" sq. mesh intermediate double crimped aluminum wire, .063" dia.

**FINISH:** Mill.



Not to scale

**OPTIONS**

Finishes - Enamels, Epoxies, etc.

Other screens available.

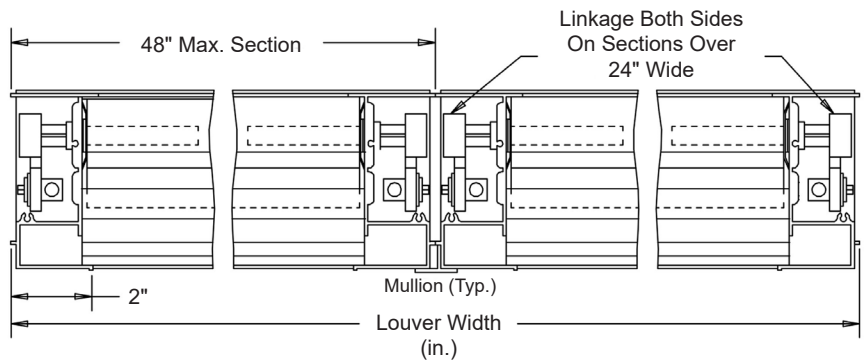
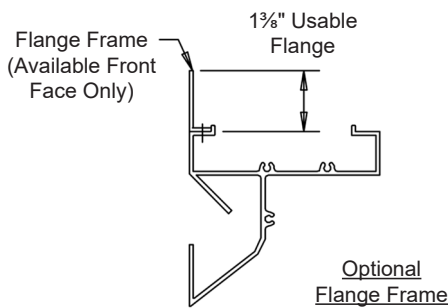
Actuators - Electric, Pneumatic, Manual, etc.

**NOTES**


1. Nominal deductions will be made to the opening size given.
2. Approximate shipping weight 5.5 lbs./sq.ft.

**LOUVER SIZES**

Min Panel	Max Single Panel
12"W x 12"H	48"W x 96"H



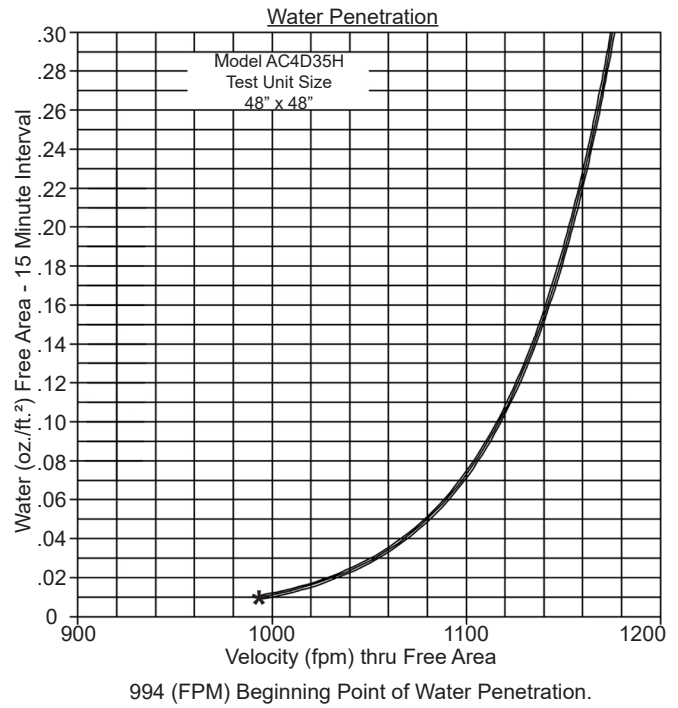
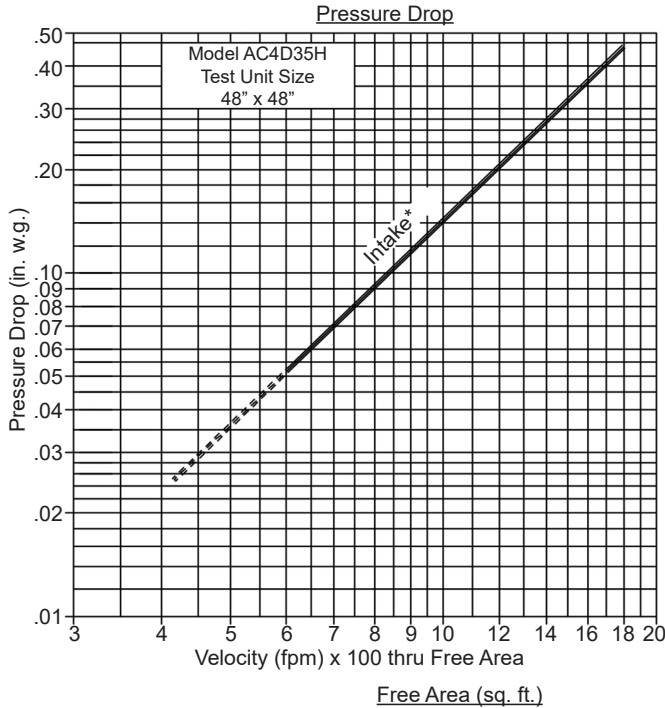
In the interest of product development, Airline Louvers reserves the right to make changes without notice.

										
<b>Item #</b>	<b>Qty</b>	<b>Width</b>	<b>Height</b>	<b>Width</b>	<b>Height</b>	<b>Mullion</b>	<b>Type</b>	<b>Location</b>		
		<b>Opening Size</b>		<b>Louver Size</b>			<b>Screens</b>			<b>Union Made</b>
<b>Arch. / Eng. :</b>						<b>EDR:</b>	<b>ECN:</b>	<b>Job:</b>		
<b>Contractor:</b>										
<b>Project:</b>						<b>Date:</b>	<b>DWN:</b>	<b>DWG:</b>		

# AC4D35H

Pressure Drop: .14 in. w.g. at 994 fpm (intake)  
 Free Area: 8.36 sq.ft. = 52% for 48"W x 48"H sample tested in accordance with AMCA Standard 500-L.  
 Beginning Point of Water Penetration: 994 fpm

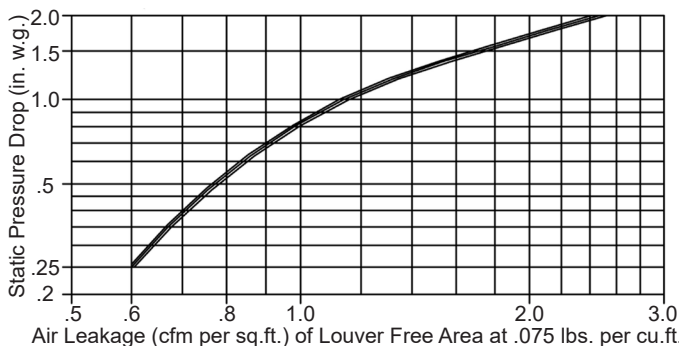
Ratings do not include the effects of a screen



		Width (in.)						
		12"	18"	24"	30"	36"	42"	48"
Height (in.)	12"	.18	.32	.46	.60	.74	.88	1.02
	24"	.59	1.03	1.48	1.92	2.36	2.81	3.25
	36"	1.00	1.75	2.49	3.24	3.99	4.74	5.49
	48"	1.52	2.67	3.81	4.95	6.09	7.23	8.36
	60"	1.90	3.32	4.74	6.16	7.58	9.00	10.42
	72"	2.39	4.19	5.98	7.78	9.57	11.37	13.16
	84"	2.79	4.89	6.98	9.08	11.17	13.27	15.36
	96"	3.26	5.71	8.16	10.61	13.05	15.50	17.95

**Air Leakage** with adjustable blade in closed position with a seating torque of 6.25 in.lb./sq.ft. of Louver Face Area. Leakage is based on a test of a 48" x 48" louver.

Air leakage (Louver Installation Position, Intake) is per AMCA Standard 500-L, Fig. 5.5.



Airline Louvers certifies that the Model AC4D35H shown herein is licensed to bear the AMCA seal. The ratings shown are based on tests and procedures performed in accordance with AMCA Publication 511 and comply with the requirements of the AMCA Certified Ratings Program. The AMCA Certified Ratings Seal applies to Air Performance and Water Penetration Ratings only.